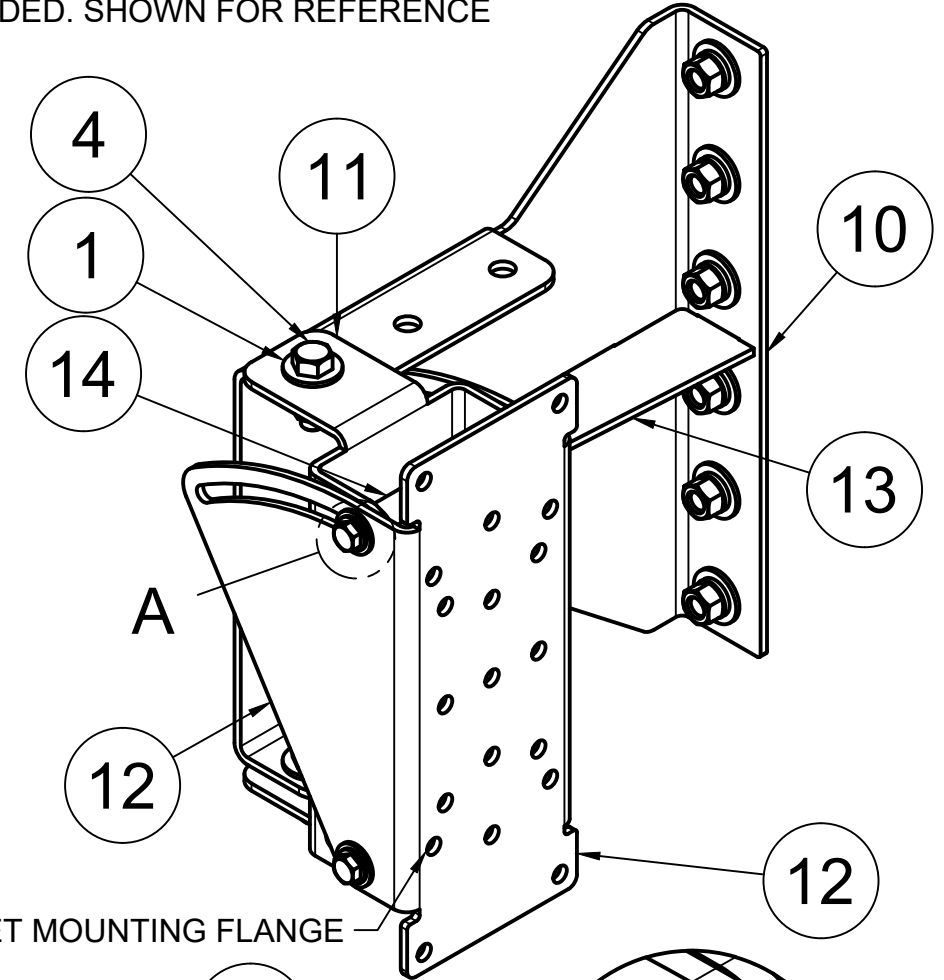


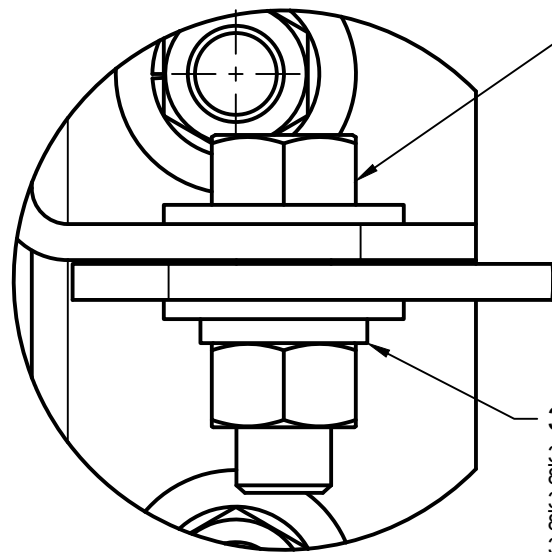
SPEAKER MOUNT FLANGE

POLE OR WALL MOUNTING FLANGE
BOLTS NUTS WASHERS ON THIS FLANGE
NOT INCLUDED. SHOWN FOR REFERENCE



LOUDSPEAKER CABINET MOUNTING FLANGE

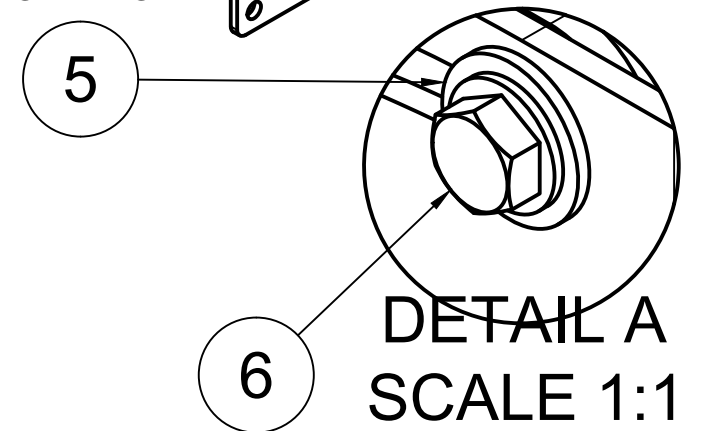
PIVOT POINT PROVIDES FROM
FLAT TO 32 DEG DOWN ANGLE
MOVE PIVOT TO INNER HOLE
FOR ADDITIONAL 6 DEG DOWN ANGLE
MAX 38 DEG DOWN



DETAIL B
SCALE 1:1

3/8-16 X 1.
3/8 FW 316SS

3/8-16 X HX HD BLT
3/8 FW 316SS
3/8 LOCK WASHER 316SS
3/8 NUT 316SS



DETAIL A
SCALE 1:1

DETAILS:
Black Powder Coat
Cardinal T001-BK120
11 Gauge Steel

DIMENSIONS ARE IN INCHES
TOLERANCES:
LINEAR ± 0.005
MACH ANGULAR ± 0.05°
BEND ANGULAR ± 0.1°

THE INFORMATION CONTAINED IN THIS
DOCUMENT IS THE SOLE PROPERTY OF
RMS-ACOUSTICS. ANY COPY OR REPRODUCTION
OF THIS DOCUMENT IN PART OR AS A WHOLE FOR
THE BASIS OF MANUFACTURE OR SALE OF ANY
ITEM OR APPARATUS DESCRIBED HEREIN
WITHOUT WRITTEN AUTHORIZATION FROM
RMS-ACOUSTICS IS PROHIBITED.
DO NOT SCALE DRAWING

RMS
ACOUSTICS

WWW.RMS-ACOUSTICS.COM
13720 24TH ST E
UNIT E110
SUMNER, WA 98390

APPROVALS	DATE	PROJECT	SIZE	REV
DRAWN: Ryan McCauley	8/8/2024	PAN TILT POLE BRACKET OVERVIEW DRAWING	B	A
CHECKED:		1/1 SCALE 1:1	8/8/2024	