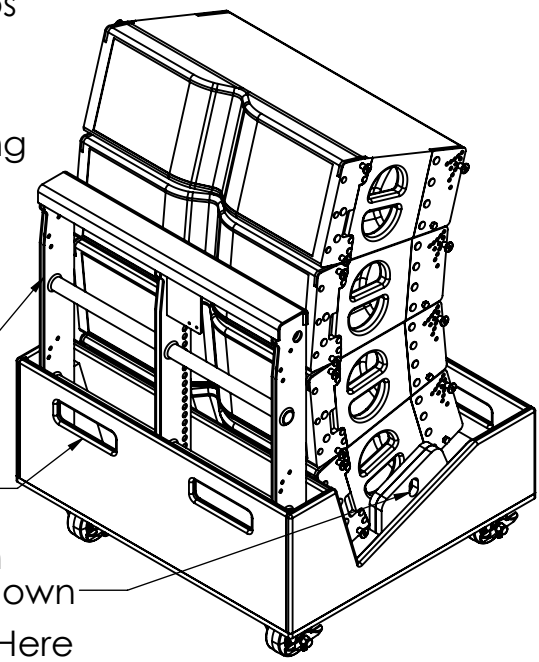
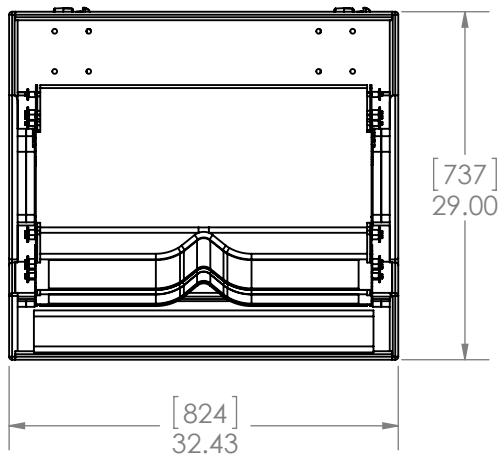


Wheel spacing fits up smallest truck ramps  
 4" X 2" Heavy Poly caster W/ Brake  
 Carry up to 5 LA28, Frame, and Cables  
 Optional Top Cover for additional stacking

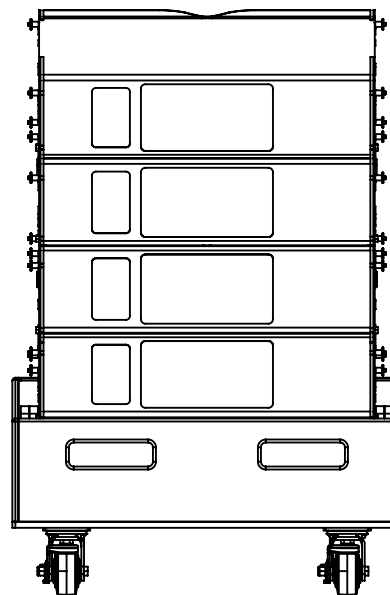
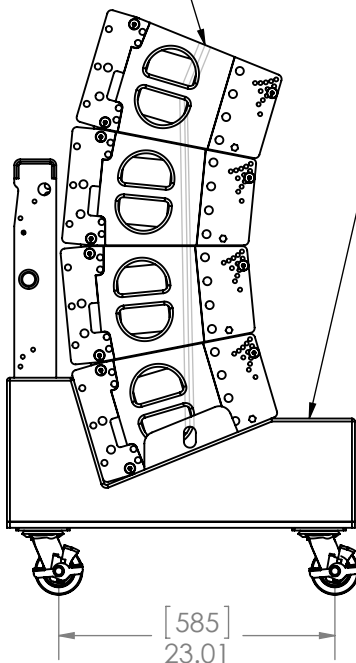
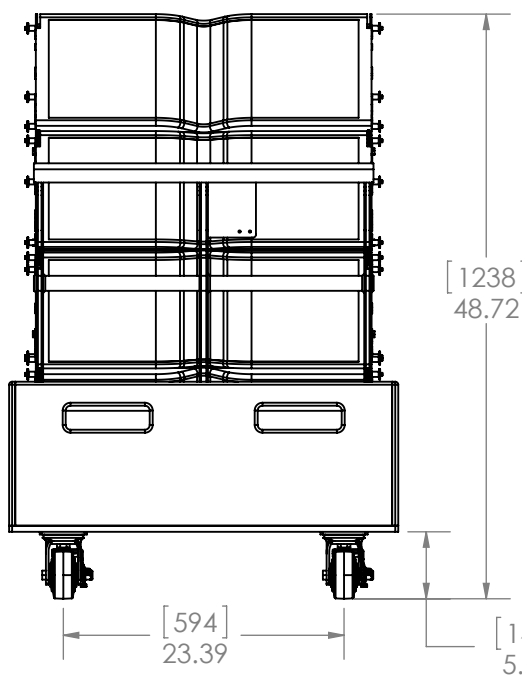


Intended Strapping Path

Large Handles front and rear

Inset Array Retention each side for strap down

Cable Storage Here



DIMENSIONS ARE IN INCHES  
 TOLERANCES: ±0.05  
 ANGULAR: ±0.1  
 BEND ±0.5

	NAME	DATE
DRAWN	RM	10/24/2019
CHECKED		
File Name:		

**PROPRIETARY AND CONFIDENTIAL**  
 THE INFORMATION CONTAINED IN THIS DRAWING IS THE SOLE PROPERTY OF RMS-ACOUSTICS. ANY REPRODUCTION IN PART OR AS A WHOLE WITHOUT THE WRITTEN PERMISSION OF RMS-ACOUSTICS IS PROHIBITED.

MATERIAL	FINISH
NEXT ASSY	USED ON
APPLICATION	

**RMS**  
 ACOUSTICS  
 www.rms-acoustics.com  
 SUMNER, WA USA  
 253-693-8569