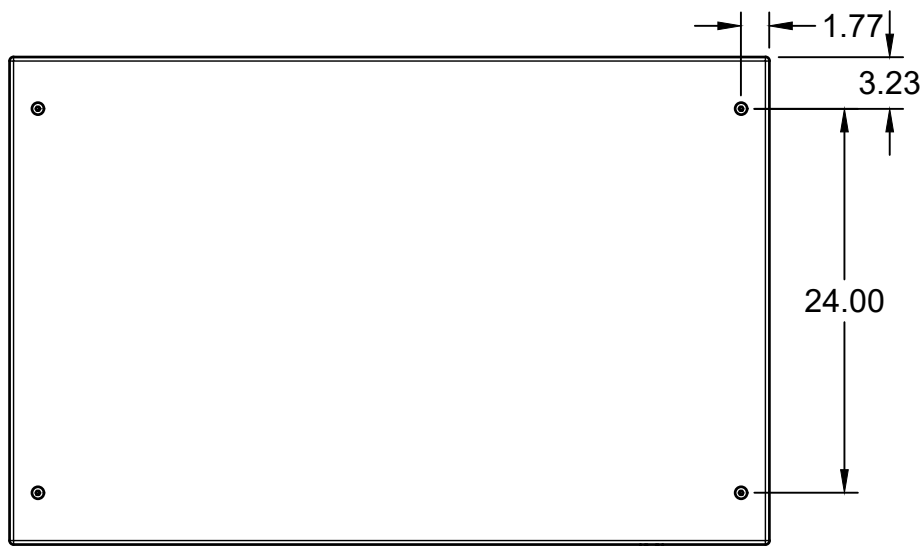
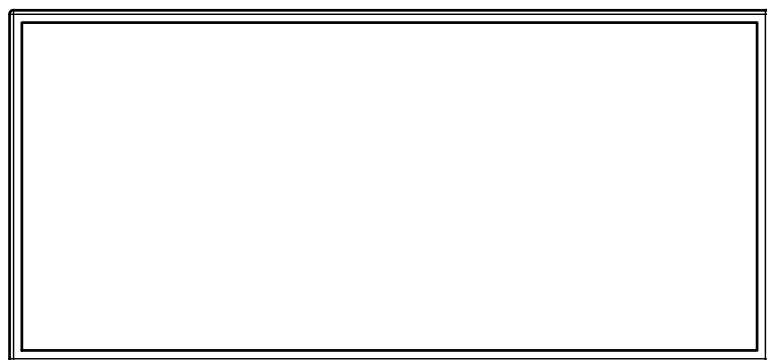
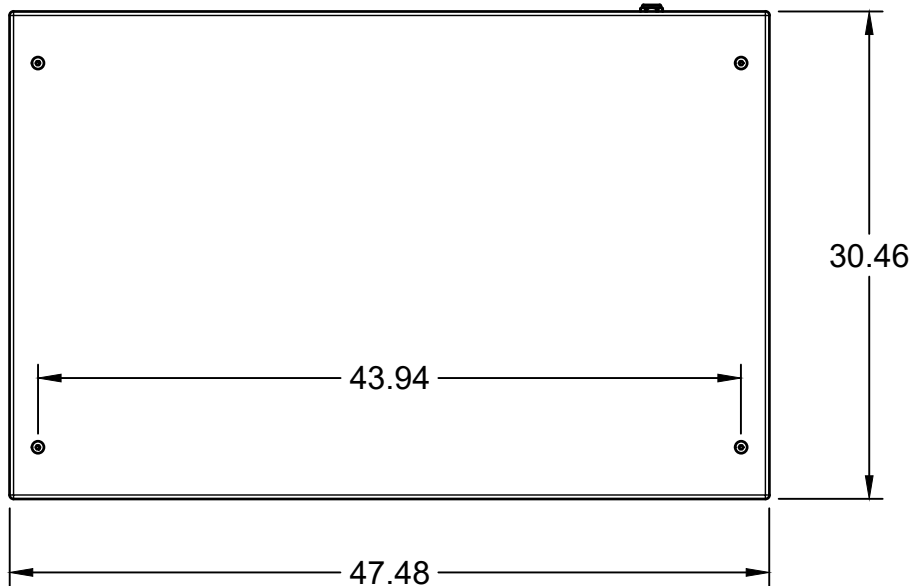
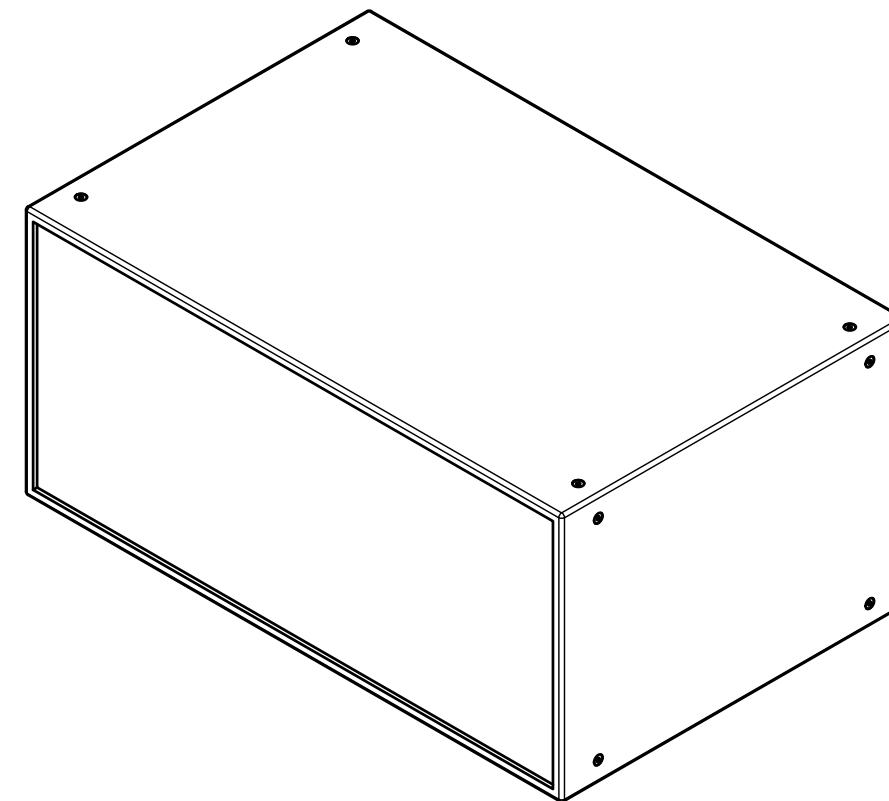
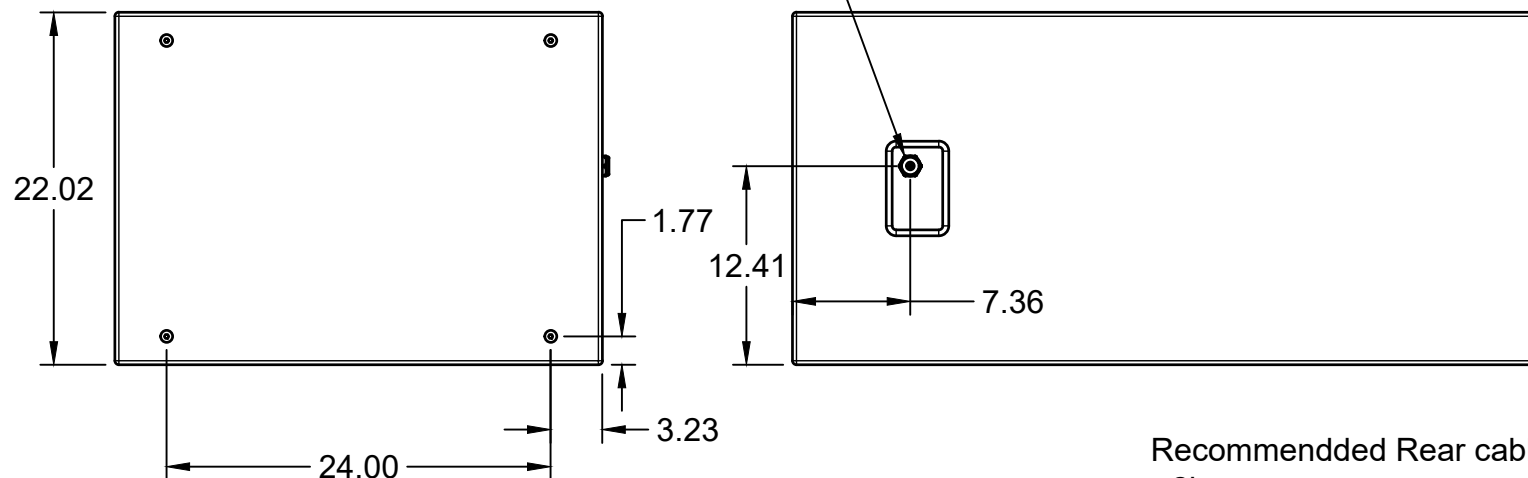


Please apply requested changes with red line callouts. Please note, significant changes may incur additional cost.

Drawing Approved By: _____ Date: _____



Rubber Gland Nut with factory Installed
10-2 or 12-4 Wire Lead
Please specify acceptable wire for
full UV Eposure at installation Locality
Please specify Length needed



Recommended Rear cable bend space 2in at jack Panel
2in
M10 mounting Locations:
4 Top and Bottom
4 Left
4 Right

DETAILS:

DIMENSIONS ARE IN INCHES
TOLERANCES:
LINEAR ± 0.1
MACH ANGULAR ± 0.5°
BEND ANGULAR ± 1°

THE INFORMATION CONTAINED IN THIS DOCUMENT IS THE SOLE PROPERTY OF **RMS-ACOUSTICS**. ANY COPY OR REPRODUCTION OF THIS DOCUMENT IN PART OR AS A WHOLE FOR THE BASIS OF MANUFACTURE OR SALE OF ANY ITEM OR APPARATUS DESCRIBED HEREIN WITHOUT WRITTEN AUTHORIZATION FROM **RMS-ACOUSTICS** IS PROHIBITED.
DO NOT SCALE DRAWING

RMS
ACOUSTICS
WWW.RMS-ACOUSTICS.COM
13720 24TH ST E
UNIT E110
SUMNER, WA 98390

APPROVALS	DATE	PROJECT	SIZE	REV
DRAWN: Ryan McCauley	6/18/2024	M218i Downey Custom Weatherized Rear mounts	B	C
CHECKED:		1/1 SCALE 1:12	6/18/2024	