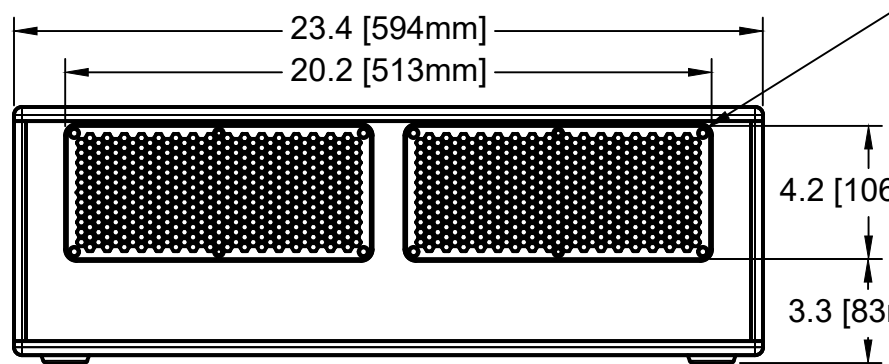


Woofer Access Panel

18.5 [470mm]



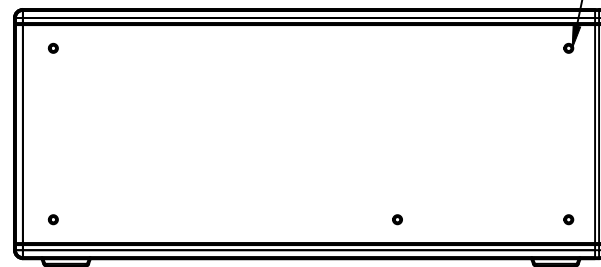
Sound Vents

23.4 [594mm]

20.2 [513mm]

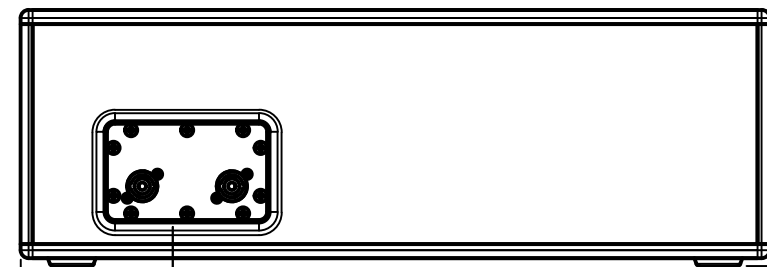
4.2 [106mm]

3.3 [83mm]



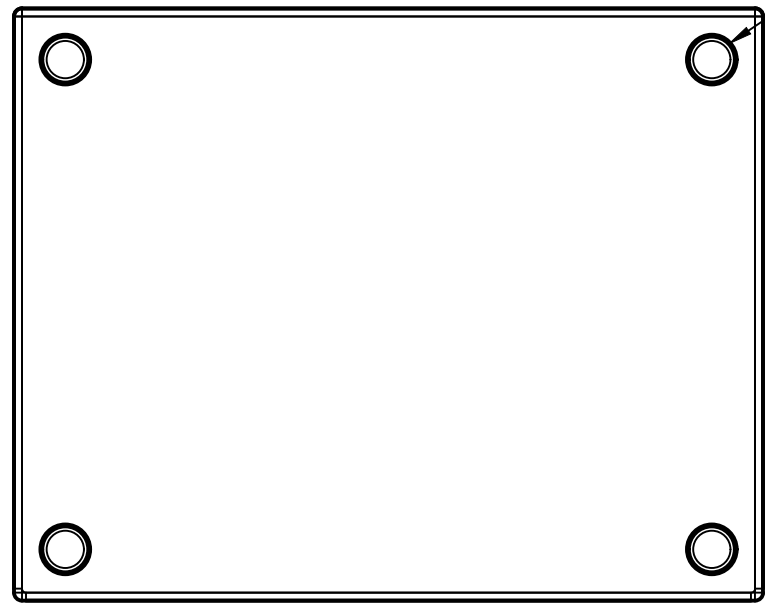
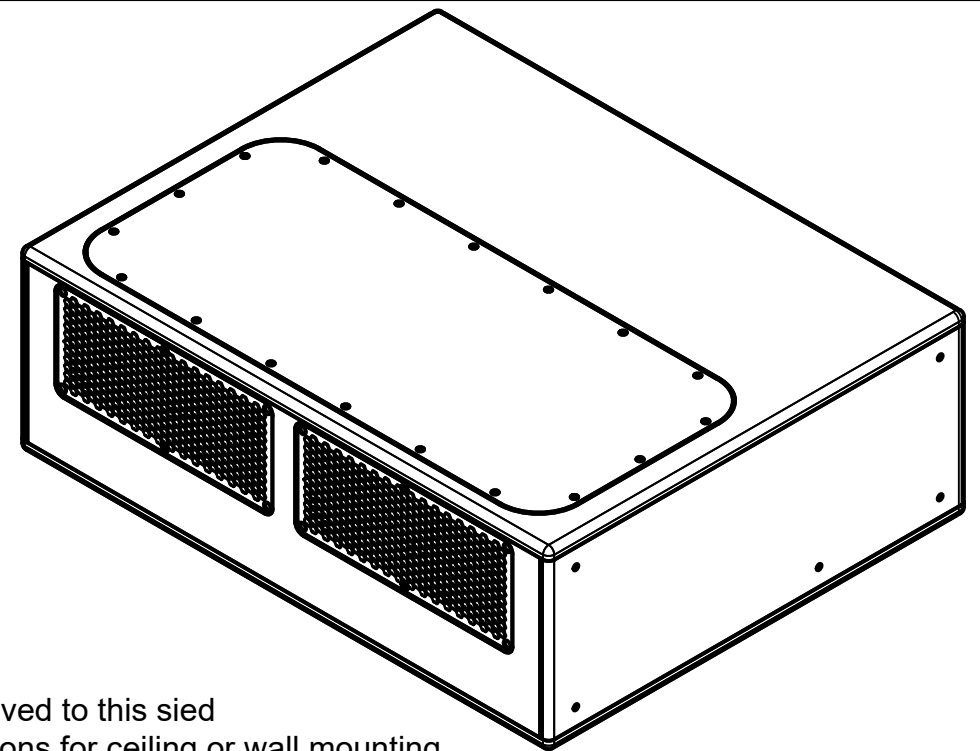
4.8 [121mm]

Rubber feet can be moved to this sized Bracket mounting locations for ceiling or wall mounting.



18.7 [474mm]

8.0 [203mm]



Rubber Feet On Bottom

Dual 8.5" Low Profile Subwoofer, 700W AES, 2100W peak

Ordering Options:

- BK Standard Black Coating, Black Powder Coat Cardinal T001-BK120
 - W Standard White Coating, White Powder Coat Cardinal T001-BK08
 - C Custom Color options (Upcharge) Specify RAL or PANTONE
- connectors are standard Dual NL4, optional Euroblock Specify -EB

Additional Finishes and weatherization Contact RMS Support

DETAILS:
15mm and 12mm
Euro Birch

DIMENSIONS ARE IN INCHES
TOLERANCES:
LINEAR ± 0.05
MACH ANGULAR ± 0.5°
BEND ANGULAR ± 1°

THE INFORMATION CONTAINED IN THIS DOCUMENT IS THE SOLE PROPERTY OF **RMS-ACOUSTICS**. ANY COPY OR REPRODUCTION OF THIS DOCUMENT IN PART OR AS A WHOLE FOR THE BASIS OF MANUFACTURE OR SALE OF ANY ITEM OR APPARATUS DESCRIBED HEREIN WITHOUT WRITTEN AUTHORIZATION FROM **RMS-ACOUSTICS** IS PROHIBITED.
DO NOT SCALE DRAWING

RMS
ACOUSTICS
WWW.RMS-ACOUSTICS.COM
13720 24TH ST E
UNIT E110
SUMNER, WA 98390

APPROVALS	DATE	PROJECT	SIZE	REV
DRAWN: Ryan McCauley	9/23/2024	SB208i 8High Version Dimensional Drawing	B	A
CHECKED:		1/1 SCALE 1:6	9/23/2024	