

The RMS-Acoustics WM-L wall mount holds loudspeakers weighing up to 120 lbs to walls by securing to standard four-holes mounting patterns located on the back and the bottom panels.

The WM-L simplifies and speeds up installations while offering a very versatile range of mounting and aiming options.

### **Note to installers**

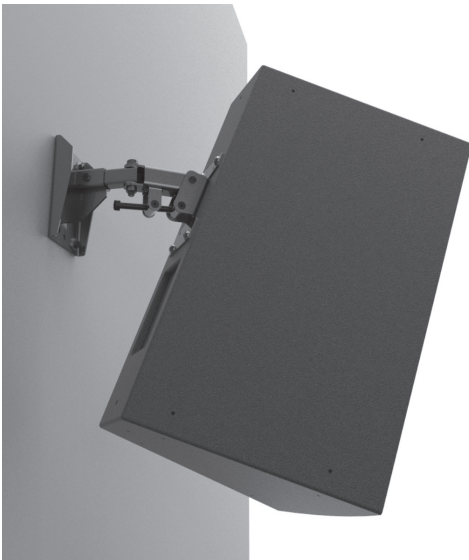
Due to the wide variety of wall structures, materials and mounting methods, these instructions assume that the installing contractor will exercise proper judgment in selecting the mounting area and hardware.

As a guide, the installation, when complete should be capable of supporting at least 7 times the actual applied load. Always use a back up safety system such as a safety cable.

To assure a trouble free installation, read through and follow these instructions carefully before beginning. If you have doubts about the integrity of the structure you are mounting to or you are not sure about the proper hardware to use, consult a structural and/or hardware specialist.

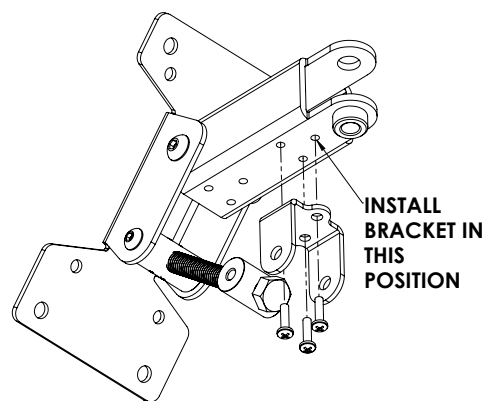
Be sure that all of the following items are included in this kit before proceeding:

- 1 pc Wall Mount Assembly
- 1 pc Hardware kit bag

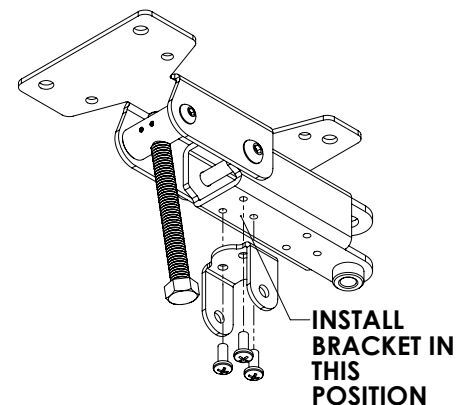


Note: Screws and washers to attach speaker to adapter plate are included

**Before beginning the installation process, first determine if the bracket will be attaching to the rear or the bottom speaker, then select the configuration A or B below**



(A) Rear Mounted Configuration



(B) Bottom Mounted Configuration

### **(A) Rear Mounted Configuration**

Assemble the Pivot U-Bracket to the set of holes closest to the bracket pivot using the supplied 1/4-20 x5" long screws.

### **(B) Bottom Mounted Configuration**

Assemble the Pivot U-Bracket to the set of holes farthest from the bracket pivot using the supplied 1/4-20 x5" long screws.

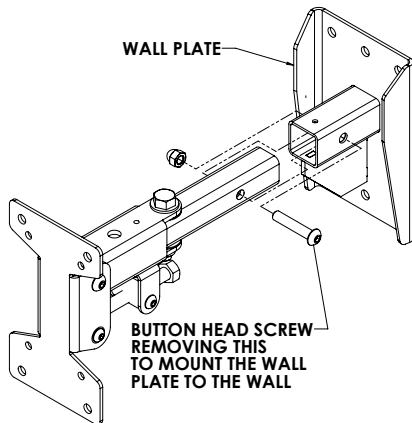


Figure 1

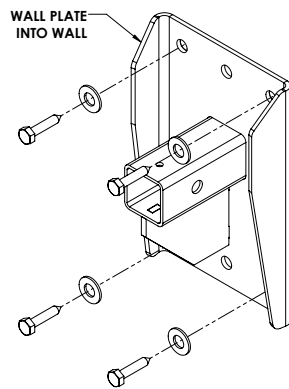


Figure 2

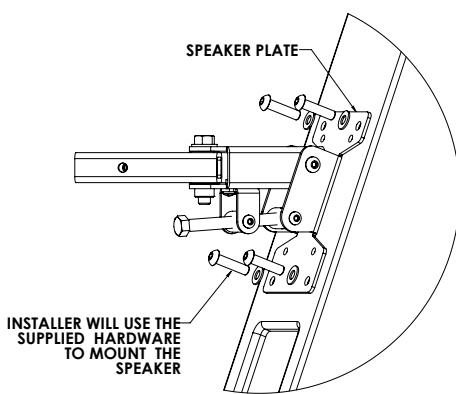


Figure 3

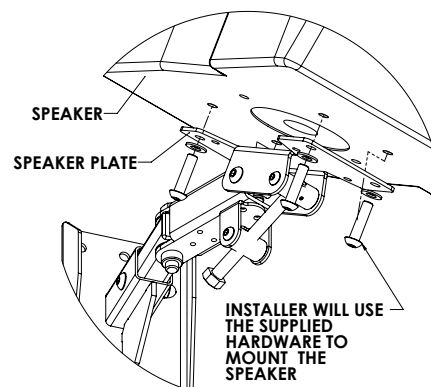


Figure 4

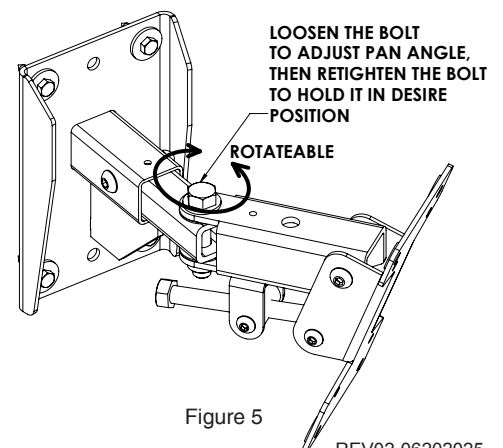


Figure 5

### Steps for mounting the WM-L to the Wall and Speaker

**Step 1:** Disassemble the wall plate, this will allow the wall plate to be mounted to the wall without the loudspeaker in the way (Figure 1).

#### Step 2: Install wall plate to wall:

Install the wall plate to the wall using the 4 corner holes of the wall plate. Use and place over the desired wall location. Use appropriate mounting screws for the proper wall structure (Figure 2).

**Do not invert the wall plate. The gusset tab must be always on the bottom side.**

#### Step 3: Attach mount to speaker:

Attach the speaker mount to the selected speaker mounting holes using the speaker manufacturer's recommended or supplied hardware (Not included with the mount). Tighten these fasteners permanently (Figure 3 for Rear mounted and Figure 4 for Bottom Mounted).

Note: If the speaker cabinet does not offer threaded mounting holes, do not install this mount. Consult the speaker manufacturer for their recommended mounting procedures.

#### Step 4:

Lift speaker and mount up to the wall mounting plate, feed wire in through the end of the support arm tube and out through the tube's upper hole. Re-attach speaker & mount assembly to the wall plate then secure with the button head screw (Figure 1).

#### Step 5: Set the pan angle on the pivot bracket:

Loosen and adjust the hex bolt. This enables the panning of the speaker from left to right. Tighten this bolt to lock it in place. (Figure 5 & 8).

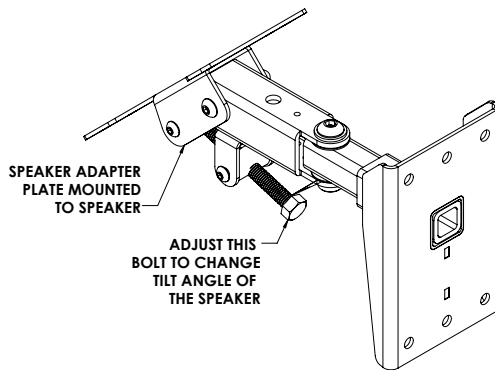


Figure 6

### Step 6: Set the tilt angle

Rotate the adjustment bolt to adjust the tilt angle of the speaker (Figure 6 and Figure 7).

### Step 7:

Re-install and tighten the set screw on the wall plate to secure the arm (Figure 9).

### Step 8: Strongly recommended (AND REQUIRED IN MOST LOCALITIES): Install safety cable

Attach one end of a safety to the wall structure and the other end to the speaker. If no attachment is provided on the speaker, consult the speaker manufacturer for advice on best attachment point on method. Safety cables are not provided by the manufacturer.

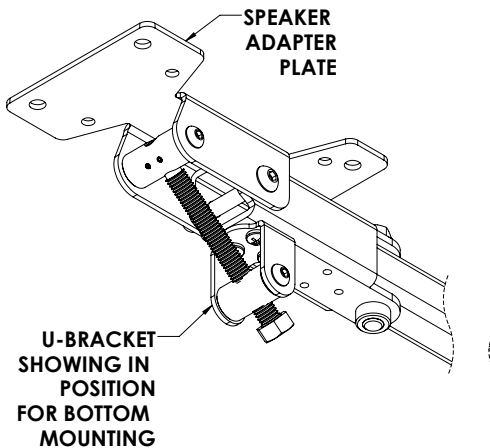


Figure 7

(Shown in a Bottom mounted Position)

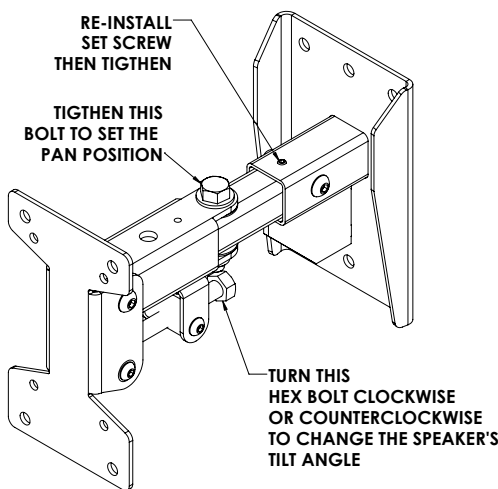


Figure 8